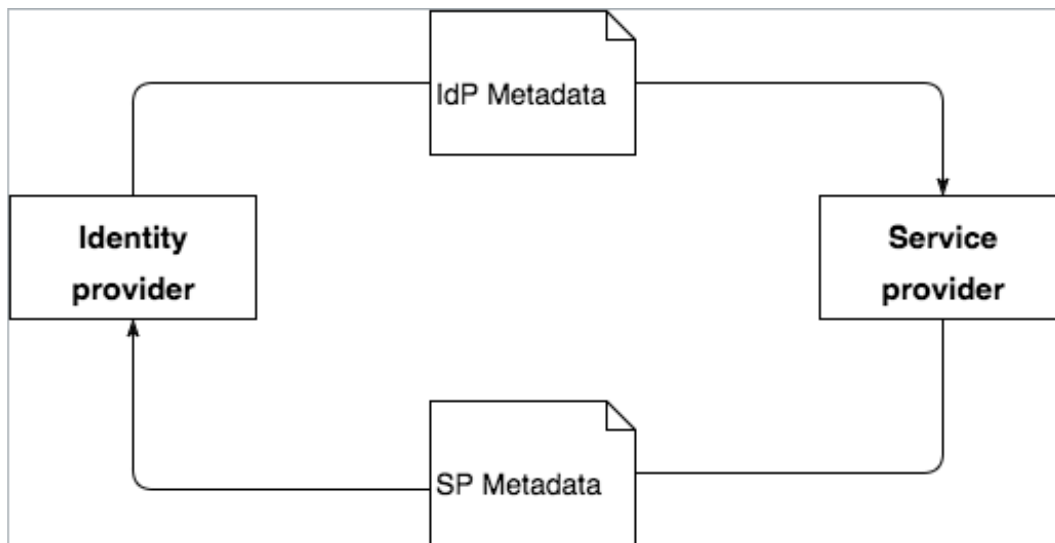


## Resolver Core SAML Profile

The Resolver Core SAML Profile (RCS Profile) is an adoption of the SAML 2.0 Web Browser Profile (SAML2 Profiles). The RCS SAML Profile allows users the ability to authenticate with a federated identity into Core through SSO.

The RCS Profile is based on the trust created between the Identity Provider (IdP) and Core using the metadata exchange as shown in the flowchart below. The trust is stored in Core using the primary customer domain. Core identifies a user through their email address and the domain in the email address is used to confirm that the user authenticates via SSO.



*A flowchart showing the high-level trust process during metadata exchange.*